

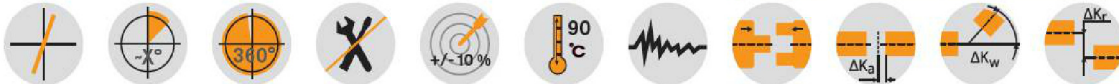
SYNTEX®

Backlash-free overload systems

With backlash-free ROTEX® GS



For legend of pictogram please refer to flapper on the cover

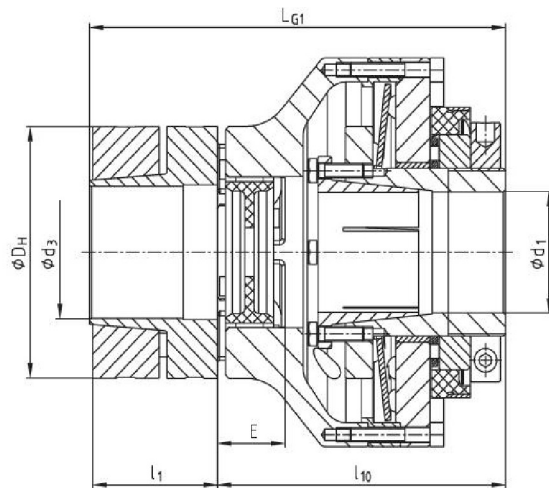
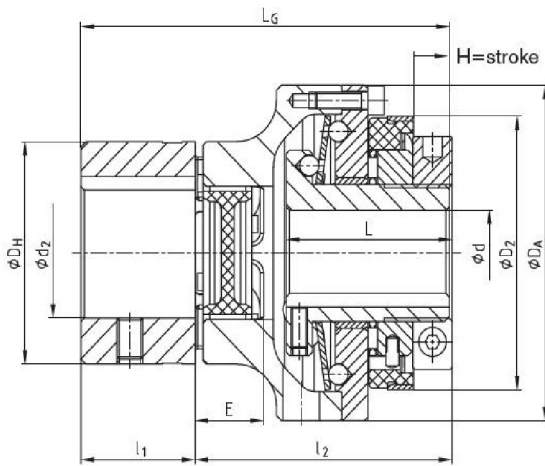


Hub type 1.0

Hub type 1.0

Hub type 6.0

Hub type 4.5



Technical data – Dimensions

SYNTEX® size	ROTEX® GS size	Torques [Nm]							Max. speed [rpm]¹)	Dimensions [mm]													
		Ratchet design DK		Synchronous design SK		ROTEX® GS 98 Sh A-GS		Max. bore															
		DK1	DK2	SK1	SK2	T _{KN}	T _{Kmax.}	d		d ₁	d ₂	d ₃	D ₂	D _H	D _A	l ₁	l ₂	l ₁₀	E	L	L _G	L _{G1}	H=stroke
20	24	6-20	15-30	10-20	20-65	60	120	1500	20	20	28	28	61,5	55	80	30	70	83	18	45	100	113	2
25	28	20-60	45-90	25-65	40-100	160	320	1500	25	25	38	38	80	65	98	35	78	91	20	50	113	126	2
35	38	25-80	75-150	30-100	70-180	325	650	1000	35	35	45	48	91	80	120	45	91	105,5	24	60	136	150,5	2
50	48	60-180	175-300	80-280	160-400	525	1050	1000	50	50	62	55	121	105	162	56	111	12,6	28	70	167	182	2

Transmittable friction torques T^R [Nm] (fitting tolerance H7/h6) of hub type 4.5

Size	Ø12	Ø14	Ø15	Ø16	Ø17	Ø18	Ø19	Ø20	Ø22	Ø23	Ø24	Ø25	Ø28	Ø30	Ø32	Ø35	Ø38	Ø40	Ø42	Ø45	Ø48	Ø50
20	45	62	71	81	92	103	115	127														
25		72	83	95	107	120	133	148	179	196	213	231										
35									127	139	152	165	207	237	270	323						
50																238	281	311	343	394	448	486

¹) See comments on page 226

Ordering example:	SYNTEX® 25	DK1	1.0	d Ø20	ROTEX® GS 28	98 ShA-GS	1.0	d ₂ Ø25	50 Nm
	Type/size	Type	Hub type	Bore	Type/size	Spider	Hub type	ROTEX® GS bore	Torque set